

LIGHT SOURCE

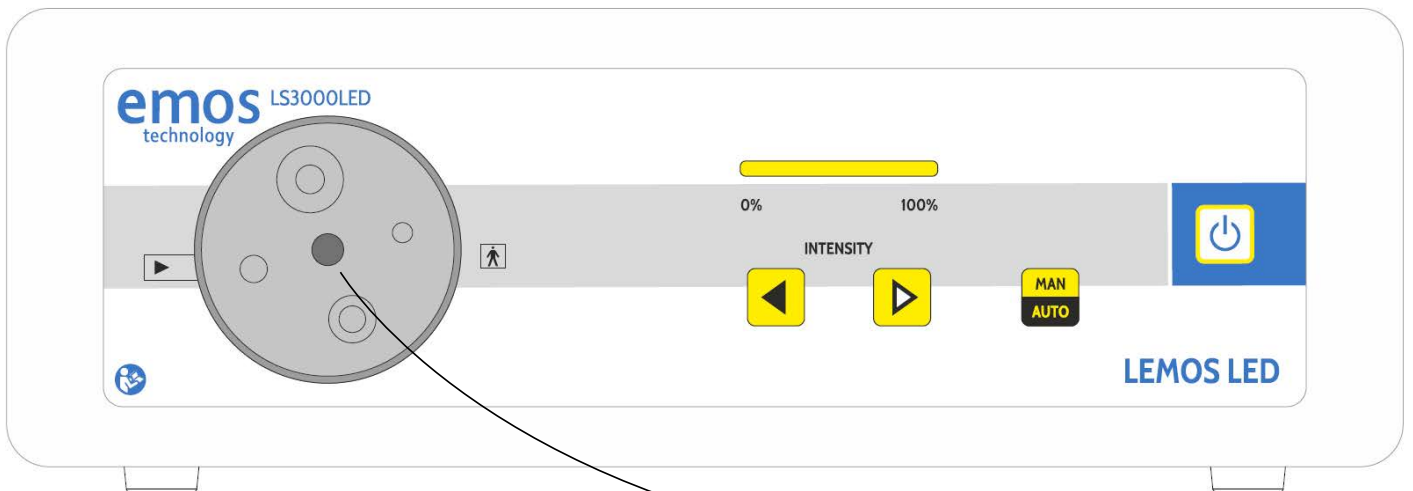
LED 3000*plus* HIGH INTENSITY LIGHT SOURCE



▶ Visionary Medical Technology

- Low noise, low heat conduction
- Electronical light control via buttons
- Pure daylight quality

Item Number: LS3000LED



Multi connector option:
Wolf, Storz, Olympus, ACMI

LIGHT SOURCE

LED 3000*plus* HIGH INTENSITY LIGHT SOURCE

Series	Description
LED 3000 <i>plus</i>	Storz adapter, automatic light intensity control
LED 3000T <i>plus</i>	Turret adapter, automatic light intensity control

Technical Data

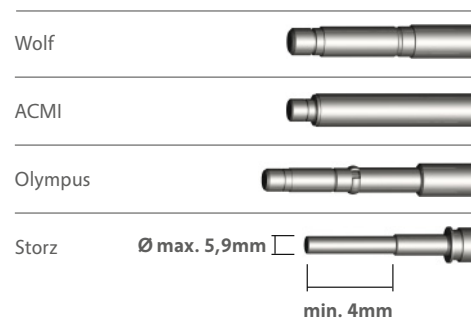
LED module:	<ul style="list-style-type: none">• LED with approx. CRI 90, Daylight quality, approx. 5600 K• Lifetime: > 20.000 hr
Voltage range (current consumption):	<ul style="list-style-type: none">• 100-240 V (130 VA)
Frequency:	<ul style="list-style-type: none">• 50-60 Hz
Device protection:	<ul style="list-style-type: none">• 2x T3,15 A
Video In:	<ul style="list-style-type: none">• 1x Video, BNC
Other connections:	<ul style="list-style-type: none">• Service (RJ45)
Protection class (acc.to IEC 60601-1):	<ul style="list-style-type: none">• I
Safety class:	<ul style="list-style-type: none">• BF
IP code:	<ul style="list-style-type: none">• 20
Standard:	<ul style="list-style-type: none">• IEC 60601-1-2
Device classification (EU) 2017/745, annex VIII:	<ul style="list-style-type: none">• I
Dimensions (WxHxD):	<ul style="list-style-type: none">• (WxHxD) 360 x 125 x 351 mm
Weight:	<ul style="list-style-type: none">• approx. 5 kg
Delivery contains:	<ul style="list-style-type: none">• Light source, mains cable, user manual, BNC cable (optional)
Light guide connection:	<ul style="list-style-type: none">• Storz (standard connection):



IMPORTANT:

Use only high-performance light cables / high-temperature-resistant light guides!

- Turret, multi connector (optional):



Exclusively pictured version!