

Vessel Sealer Divider 2 major advantages

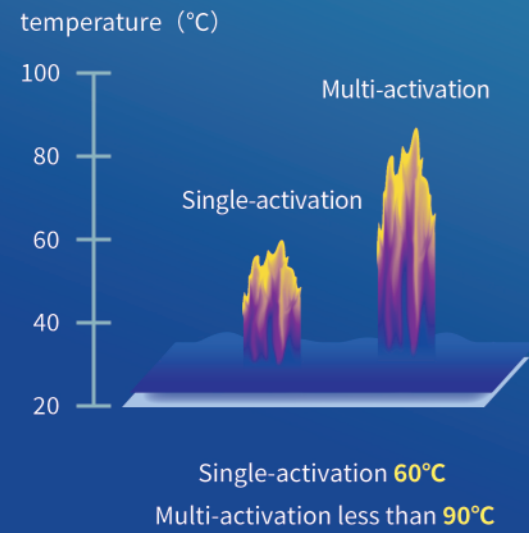
SEALING WITH FASTER SPEED

Used to safely seal large blood vessels, lymphatic vessels, and tissue bundles containing blood vessels or lymphatic vessels to form a permanent, clear, elastic sealing band.



Sealing speed as fast as **1-4 seconds**
1-3 times faster compared to traditional energy devices

(* According to our internal test report)



LOW TEMPERATURE JAW PROFILE FASTER COOLING

Lateral thermal damage < 2mm
Less charring, sticking and smoke

(* According to our internal test report)

[Applicable Surgeries]



Gastrointestinal

Gastrectomy, Sleeve gastrectomy,
Colorectal resection, Duodenal resection



Gynecology

Hysterectomy,
Adnexal resection



Hepatopancreatic

Liver resection, Spleen resection,
Pancreatectomy



Urology

Nephrectomy,
Cystectomy



Thyroid and Breast

Thyroidectomy, Mastectomy,
Axillary lymphatic dissection

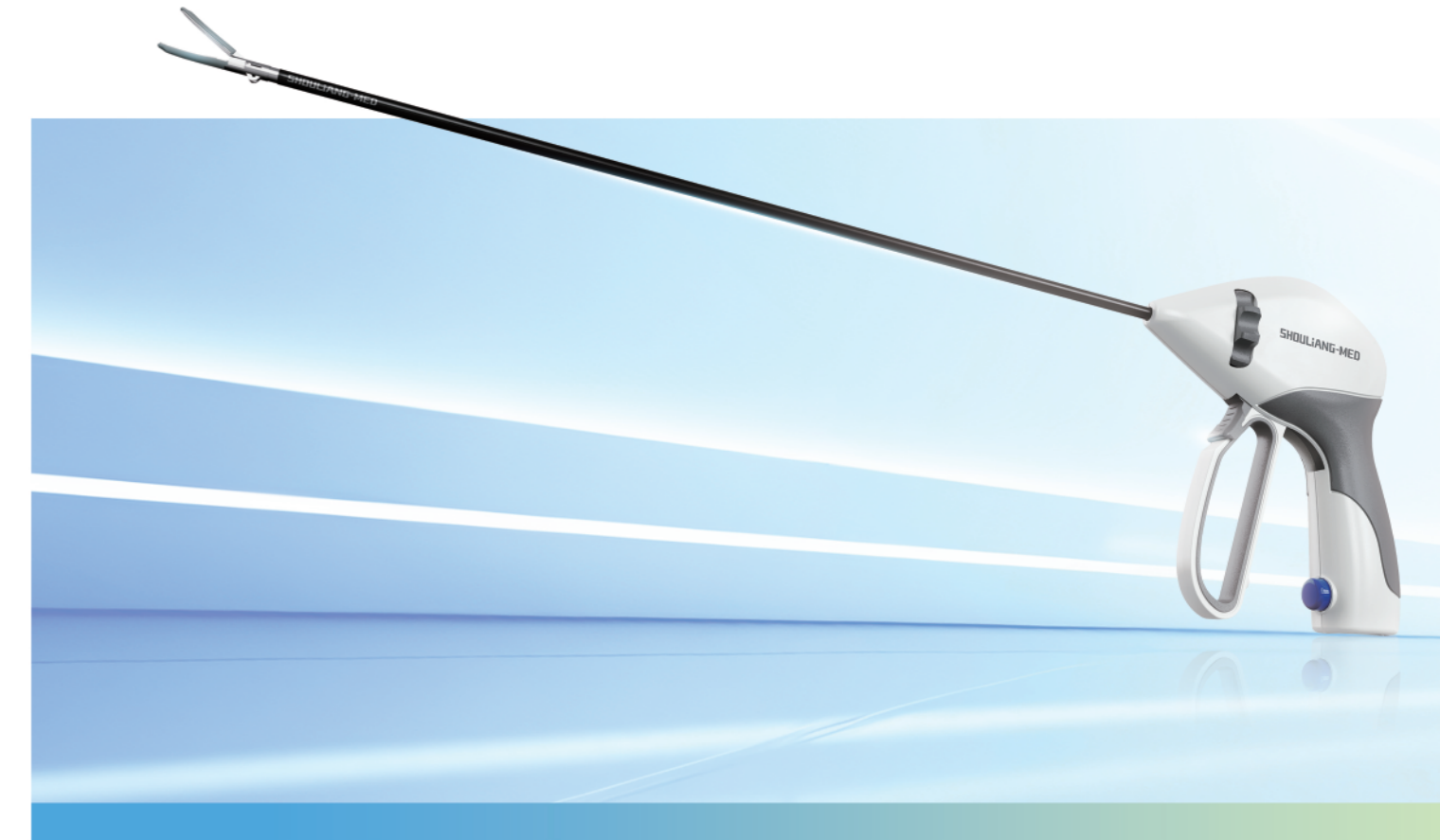


Thoracic

Radical esophageal cancer surgery,
Radical lung cancer surgery

Model	Jaw Design	Diameter	Seal Length	Cut Length	Length
Laparoscopic instruments					
SL0844 / SL0837	Maryland	5mm	20mm	18.4mm	44cm/37cm
SL0544 / SL0537	Maryland	5mm	20mm	18.4mm	44cm/37cm
AC0144M/AC0137M	Maryland	5mm	20mm	18.4mm	44cm/37cm
SL0944 / SL0937	Blunt Tip	5mm	18.3mm	16.8mm	44cm/37cm
SL5144S / SL5137S	Blunt Tip	5mm	16mm	14mm	44cm/37cm
SL1144S / SL1137S	Blunt Tip	10mm	22mm	20mm	44cm/37cm
Open instruments					
SL0823	Maryland	5mm	20mm	18.4mm	23cm
SL0520	Maryland	5mm	20mm	18.4mm	20cm
AC0123M	Maryland	5mm	20mm	18.4mm	23cm
SL0923	Blunt Tip	5mm	18.3mm	16.8mm	23cm
SL5120S	Blunt Tip	5mm	16mm	14mm	20cm
SL1120S	Blunt Tip	10mm	22mm	20mm	20cm
SL1220	Curved	N/A	36mm	34mm	18cm
SL5300S	Maryland	N/A	16.5mm	14.7mm	19cm(Overall)

SHOULIANG-MED™



ELECTROSURGICAL VESSEL SEALER / DIVIDER

COOLER SEALING BLOODLESS CUTTING

Nanjing ShouLiang-med Technology Co.,Ltd.

Tel:025-58370102 Fax:025-58370103
D9 block, NO 9 Kechuang avenue, Jiangbei new area, Intelligent Manufacturing
Industrial Park (Zhihe Park), Nanjing city, Jiangsu, China.

SHOULIANG-MED™

info@nj-soliang.com

(For oversea use only !)



22° curved jaw
Better surgical view

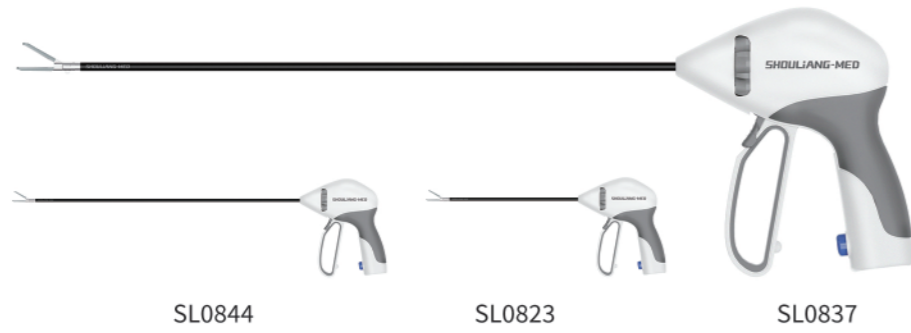
Heat insulation design
Reduce heat spread

Textured surface with ceramic dots
Decrease sticking, enhance grasping.

SINGLE ACTION **CURVED JAW INSTRUMENTS**

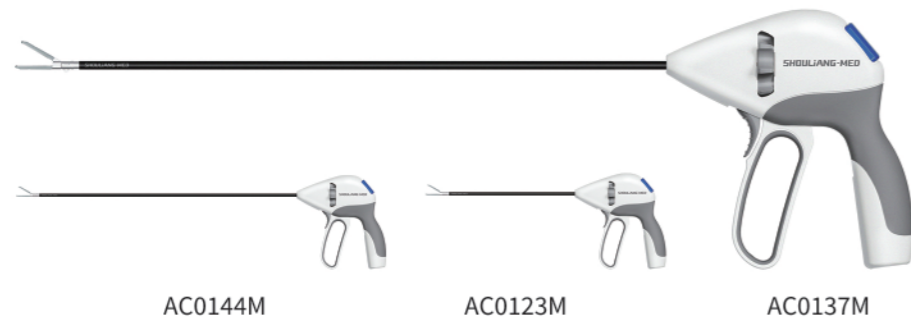
SL08

- Press handle
- 350°-360° shaft rotation



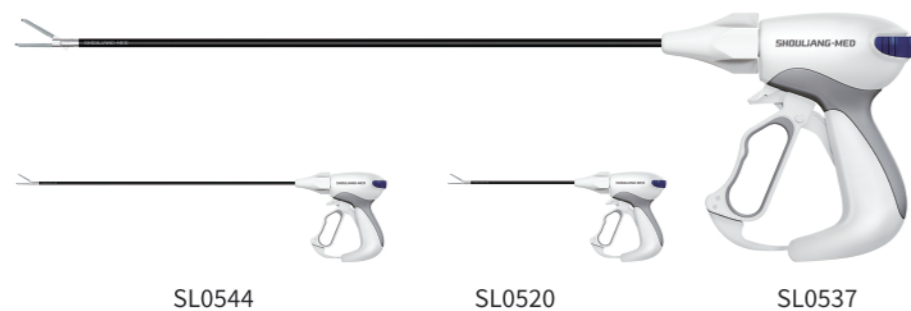
AC01

- Locking handle
- 350°-360° shaft rotation



SL05

- Locking handle
- 350°-360° shaft rotation



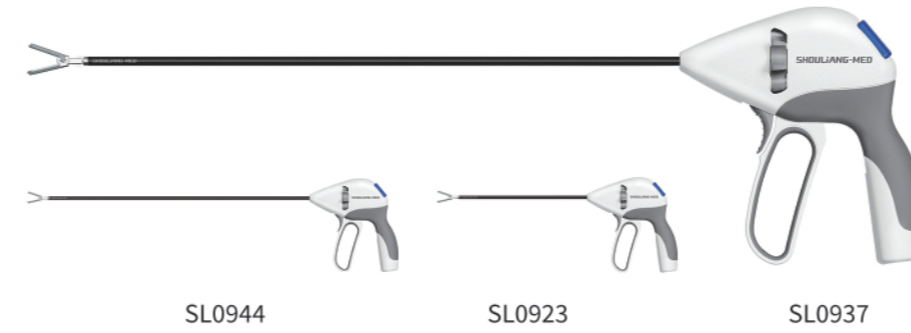
Heat insulation design
Reduce heat spread

Textured surface with ceramic dots
Decrease sticking, enhance grasping.

DOUBLE ACTION **STRAIGHT JAW INSTRUMENTS**

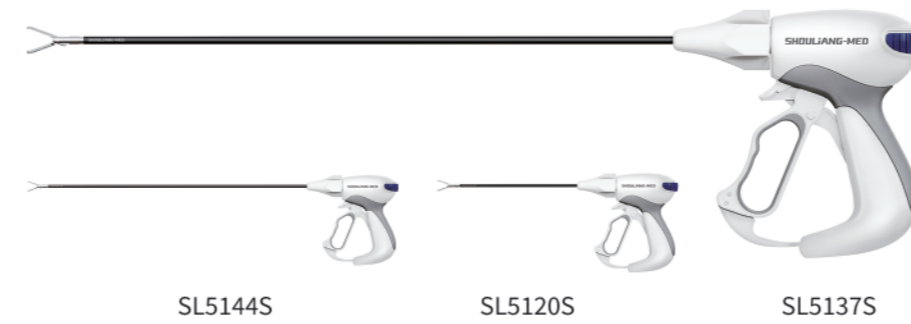
SL09

- Locking handle
- 350°-360° shaft rotation



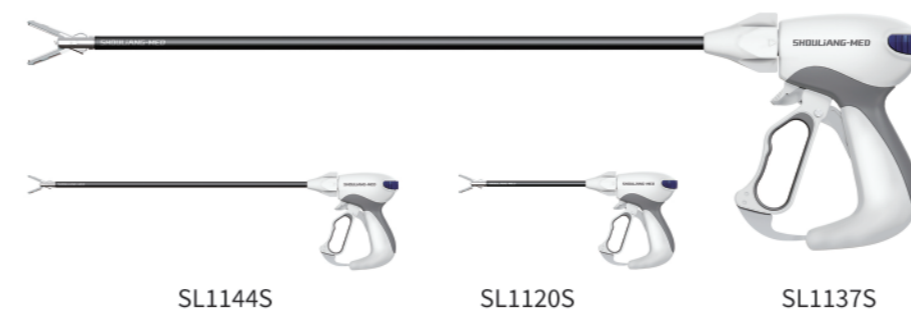
SL51

- Locking handle
- 350°-360° shaft rotation



SL11

- Locking handle
- 350°-360° shaft rotation



14° curved jaw
Better surgical view

Heat insulation design
Reduce heat spread

Textured surface with ceramic dots
Decrease sticking, enhance grasping.

BIG CURVED JAW INSTRUMENT Open surgery

SL1220

- Locking handle
- 180° shaft rotation



28° curved jaw
Better surgical view

Heat insulation design
Reduce heat spread

Textured surface with ceramic dots
Decrease sticking, enhance grasping.

SMALL JAW INSTRUMENT Open surgery

SL5300S

- Press handle



3D OPERATION DEMONSTRATION



① Sealing

② Form sealing band

③ Cutting